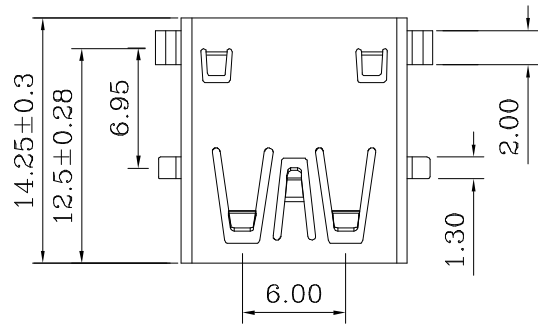


* RoHS COMPLIANT *

* REVISIONS

LTR	DESCRIPTION	DATE	REVISED	APPROVED



NOTE

1. MAERAL
- 1.1 NSULADR: LCP+30%GF. U94V-0
- 1.2 CONTACT 1-4PIN: C5191R/H
- 1.3 CONTACT 5-9PIN: C5191R/H
- 1.4 SHELL: SUS

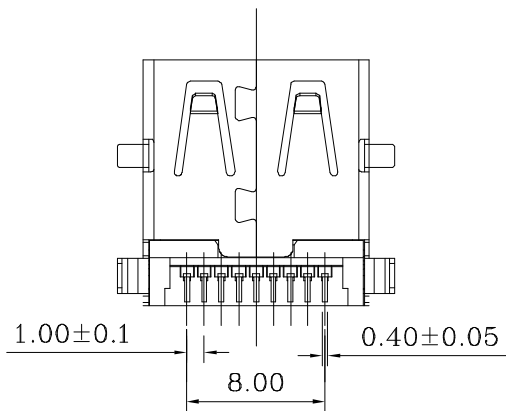
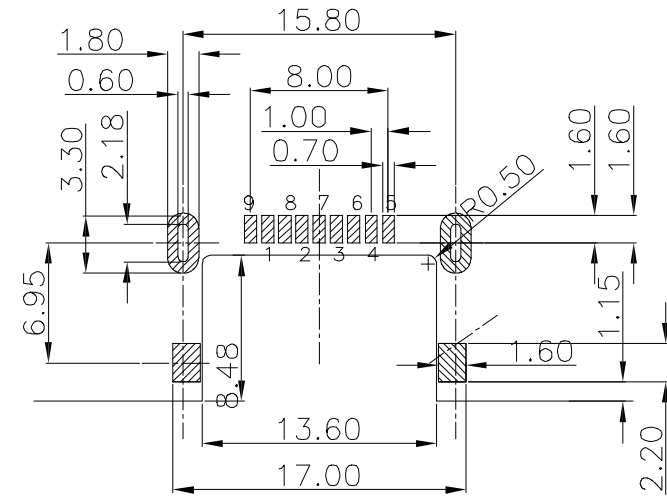
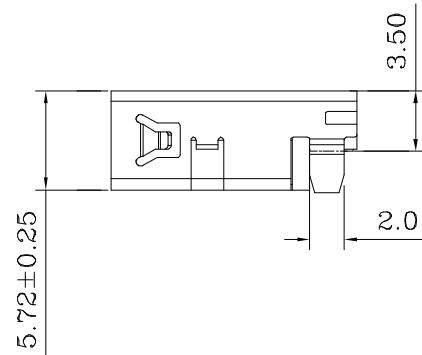
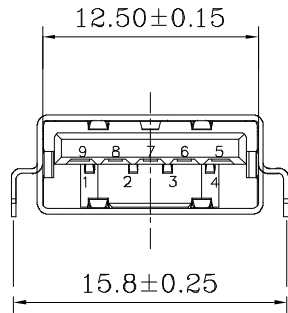
2. PLATING

- 2.1 CONTACT: SELECTIVE GOLD PLATED ON CONTACT AREA
100u"min, MATTE TIN PLATED ON SOLDER TAIL 30u" Min,
NICKEL UNDER-PLATED

3. CHARACTERISTICS:

- 3.1 ELECTRICAL CHARACTERISTICS;
CONTACT RESISTANCE: 30mΩ MAXIMUM
CONTACT CURRENT RATING: 1.5A
DIELECTRIC WITHSTANDING VOLTAGE: 500 V R.M.S.
INSULATION RESISTANCE 1000 MEGOHMS MIN
OPERATING TEMPERATURE: -25°C +85°C

4. DESIGN STANDARD ACCORDING TO USB_3.0 SPECIFICATION.



UNLESS OTHERWISE SPECIFIED, TOLERANCE ON DECIMAL: ±0.3

DWN	LILY	DATE	2021.12.01	3RD ANGLE PROJECTION	NAME	USB 3.0 AF 沉板式+3.5 SMT
CHKD	ANDY	DATE	2021.12.01		CAT. NO.	JCU3-US3F09-CB35
APVD	JON	DATE	2021.12.01	UNIT: mm	DWN.NO.	ZM-US3F09-CB35
JKCR Electronics Co., Ltd.						002